

TABLE OF CAUSES



SYMPTOM	POSSIBLE CAUSES	SOLUTIONS
The white light HL1 "POWER" does not turn on	Check the plug-in and the power supply	Check the plug-in and the power supply
	Check the plug-in and the power supply	
	The transformer T is blown	Follow the manual unloading procedure (EN.CL.09)
	The FA10 breaker is off	Turn on the FA10 breaker
	The lamp is broken	Test the alimentation on terminals 3 & 4 of the transformer



SYMPTOM	POSSIBLE CAUSES	SOLUTIONS
The light HL2 "READY" does not turn on	The magneto-thermal relay KS1 is faulty (KA3 under tension)	Push the "RESET" button of KS1
	The motor is over-heating (KA2 out of tension and red light HL4 turned on)	Let the motor cooling down Limit the output flow of the pump
	The temperature inside the electrical box is bellow 5 °C	Check EH1
	The FU2 fuse is blown	Change the fuse (50 mA)
	The temperature sensor BT1 of the pump is blown	Switch SA1
	The UT1 unit is faulty	
	The KT4 relay (on-function temporization 10s.) is faulty	
	The KT3 relay (stop temporization 3s.) is faulty	
	The SP1 switch (pump output) is faulty	
	The KT1 relay (stop temporization if the discharge pressure of the pump is under the limit 4s.) is faulty	If the temperature displayed on UT1 keep changing, wait, if not, switch SA1
The KT2 relay(on function temporization 30s.) is faulty		
The pump temperature is above -115 °C	Switch off SB3	
The SB3 button "EMERGENCY STOP" is on		



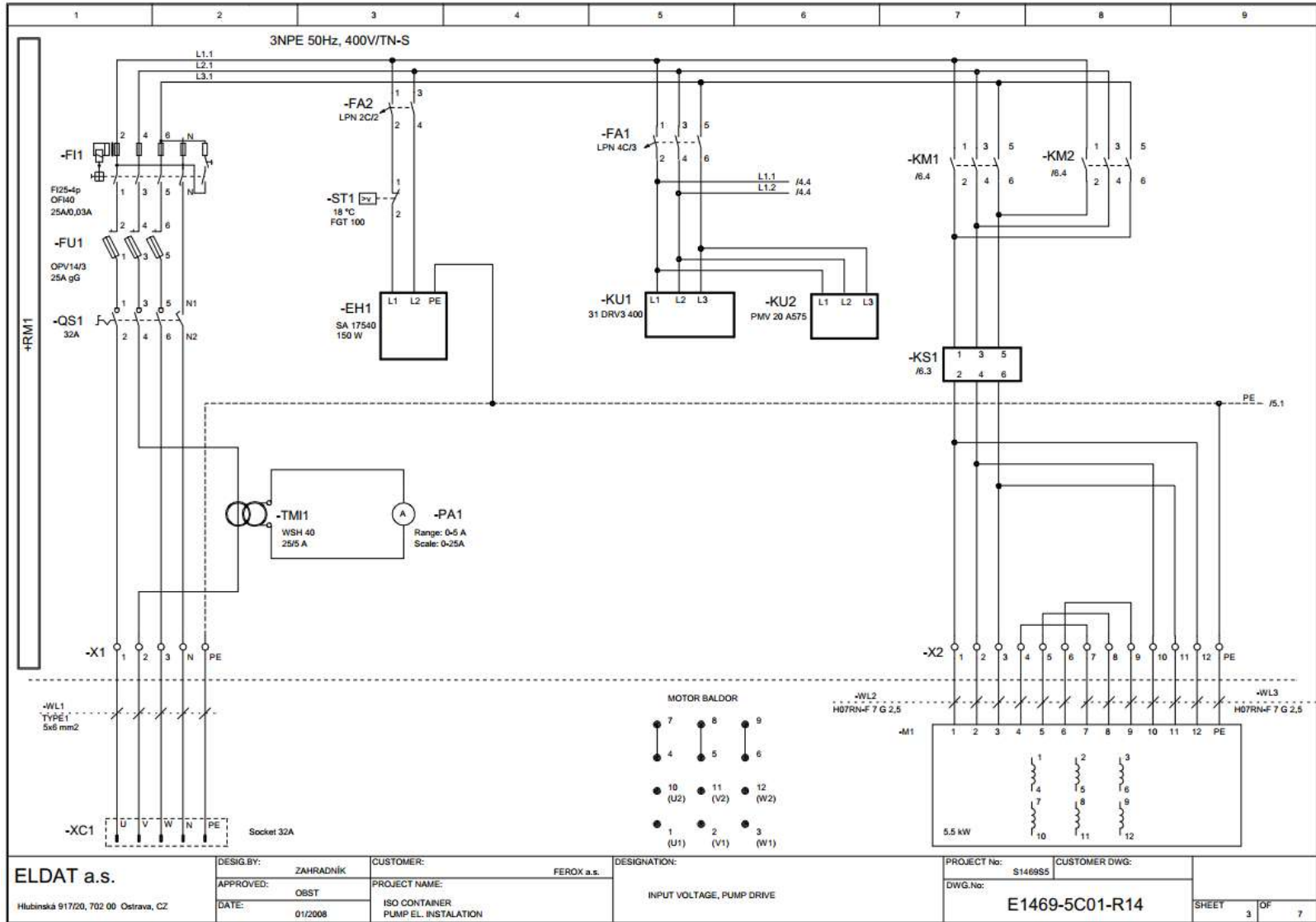
SYMPTOM	POSSIBLE CAUSES	SOLUTIONS
The temperature in the electrical box is under 5 °C	The FA2 breaker is off	Turn on the FA2 breaker
	The ST1 sensor is faulty	Switch SA1
	Le radiator is blown	
The pump does not turn on	KA1 is faulty	Follow the manual unloading procedure (EN.CL.09)
	KS1 is faulty	
	KM1 or KM2 are faulty	

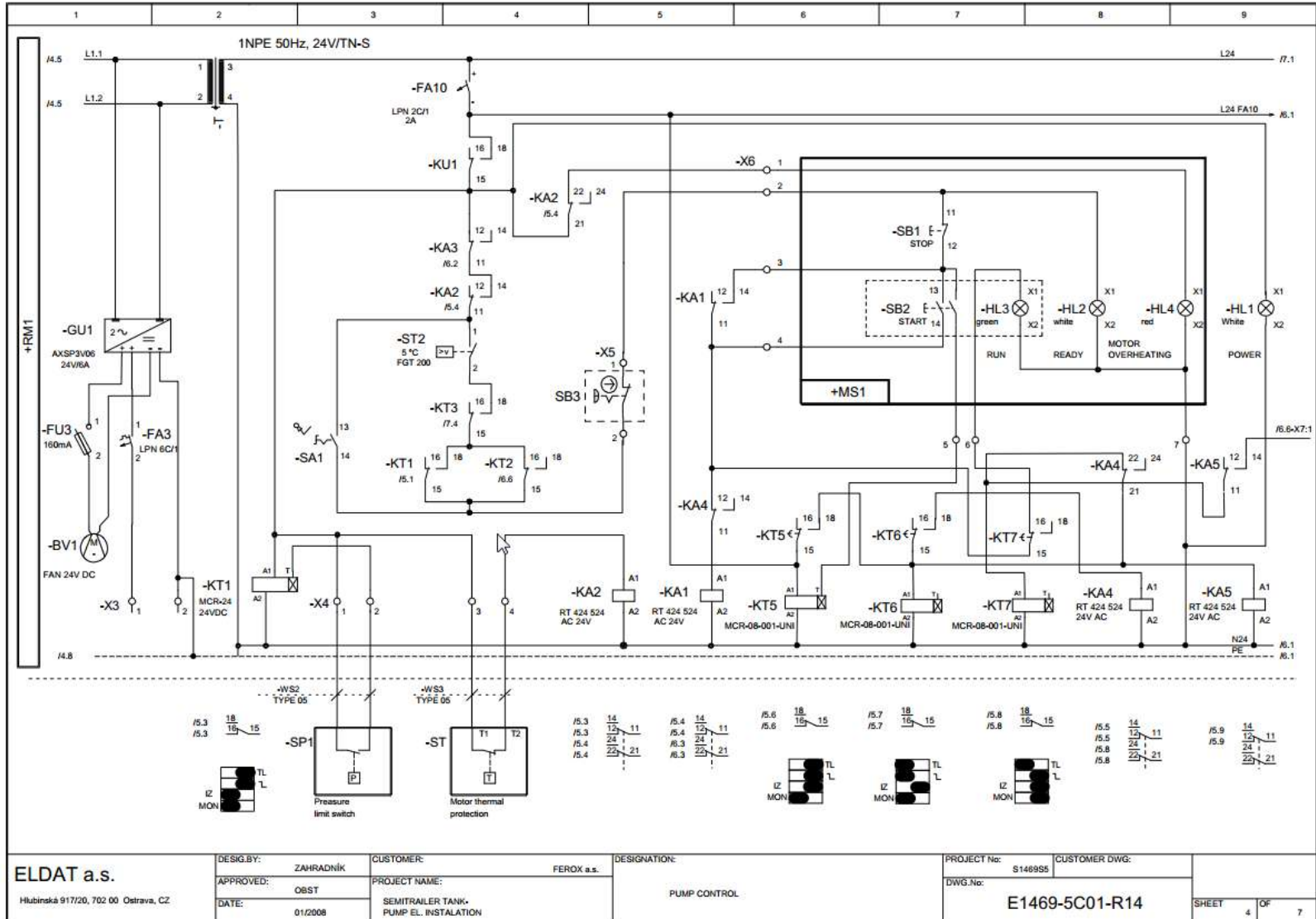


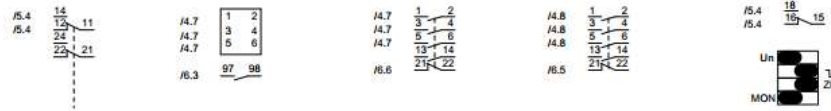
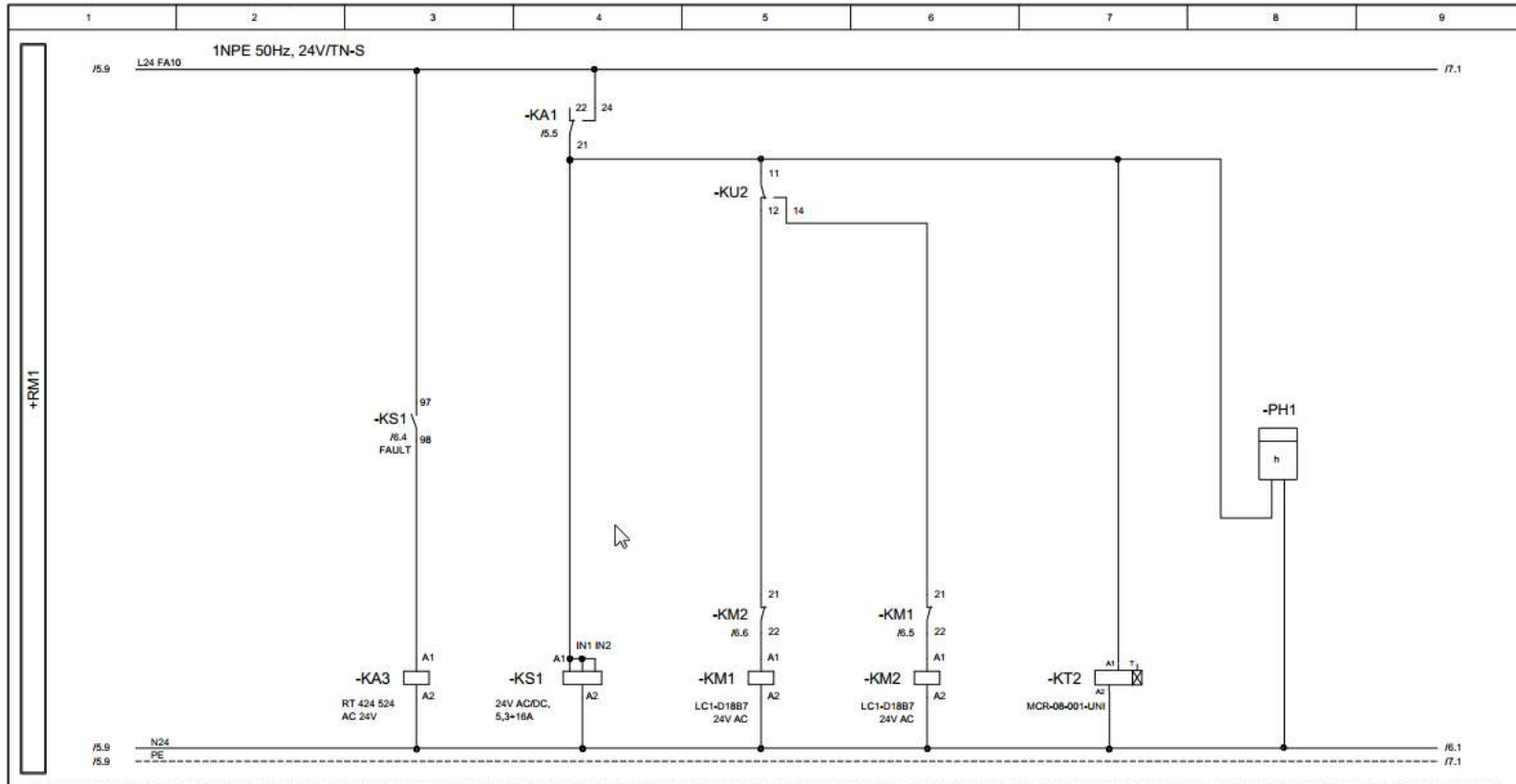
CIRCUIT DIAGRAM

REV.	New wiring of ST2			NAME	R11	DATE	18.3.2009	SKON.	
	FAN 24V DC				R10		12.3.2009		
This drawings is property of ELDAT a.s. and must not be reproduced or used for purposes other then for which it was supplied.						Project Name: ISO CONTAINER II PUMP EL. INSTALATION			
Proj.Num.:	S1469S5	Scale:	-	TITLE: CIRCUIT DIAGRAM_SMC3					
Designer:	ZAHRADNIK	Units:	mm						
Design by:	OBST	Project:	PROJEKT						
Aproved:	OBST	A4:	9	ELDAT a.s.			E1469-5C01-R14	Rev.	Page
Date:	01/2008	CAD:	WSCAD4.1	Hlubinská 917/20, 702 00 Ostrava					









ELDAT a.s. Hlubinská 917/20, 702 00 Ostrava, CZ	DESIG.BY: ZAHRADNÍK	CUSTOMER: FEROX a.s.	DESIGNATION: PUMP CONTROL	PROJECT No: S146955	CUSTOMER DWG:
	APPROVED: OBST	PROJECT NAME: ISO CONTAINER PUMP EL. INSTALATION		DWG.No: E1469-5C01-R11	
	DATE: 01/2008				SHEET 5 OF 7



