

CHECK LIST

CONTENEUR LAR - LIN - LOX (Med)

Control Points for Check Out /Check In

Redactor: CCH
Approver: MA

DOCKING	→ Container n°: _____	DATE: ____/____/20____	OUT OF THE PORT
	→ Product: _____	→ Driver Name / Company: _____	
Tick if done, confirmed or present In case of problem, thank you to call your Air Flow contact			

PRIOR CHECKING (Contact Air Flow if one of the boxes "No" bellow is ticked)

If LOX Med, indicates seals number: _____

→ The Pressure of the iso must be > 2 bar (otherwise a cleaning will be compulsory): Yes No

→ General layout is in a good condition: Yes No

PUMP CONTROL (IF ANY)

→ The pump is in blue color: Yes No If the pump is grey:

→ Electrical board is in good condition: Yes No Add two seals "DO NOT USE" on the electrical board and V7: Yes No

CONNECTORS

→ Seals & Dust caps

→ **HC1:** EIGA Blind Flange Nothing CGA Other _____

→ **HC2:** PIN Blind Flange Nothing CGA Other _____

→ **HC7:** PIN Blind Flange Nothing CGA Other _____

LABELING / PRESSURE & LOADING CONTROL

→ ADR/IMDG labels are present, conform and in a good condition: Yes No

→ Holding Time label present and in a good condition: Yes No

→ Holding Time value: _____ days Pressure at the dock exit: _____ bar

→ Pressure after loading: _____ bar

→ Level: _____ mmH₂O

→ Weight loaded: _____ kg

VALVES CONTROL

→ Valves V2 and V4 closed without leakage: Yes No

→ All the other valves are correctly closed: Yes No

→ Valve key present: Yes No

→ Cable V2/V4 present and in functioning condition: Yes No

COMPULSORY DOCUMENTS

Transport

→ CMR consignment note Yes No

→ Routing form (for LOX Med only) Yes No

Loading

→ Weight form Yes No

→ Analysis certificate (if required) Yes No

LOX :
UN1073, class 2.2 & 5.1



LAR :
UN1951, class 2.2



LIN :
UN1977, class 2.2



Labels must be visibles on the 4 faces of the tank

CHECK LIST

CONTENEUR LAR - LIN - LOX (Med)

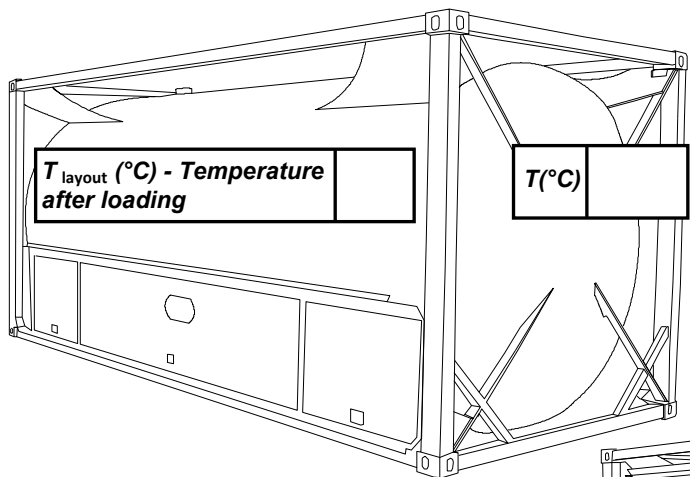
Control Points for Check Out /Check In

Redactor: CCH
Approver: MA

PICTURES TO SEND TO AIR FLOW (FOR CHECK IN ONLY):

- General condition of the iso
- Valves V2 and V4 closed (with seal for LOX)
- Valve V2/V4 key
- Manometers after loading
- Holding Time label
- The three flanges
- Seal on the door (for LOX Med only)

TEMPERATURES - SEALS - INJURIES

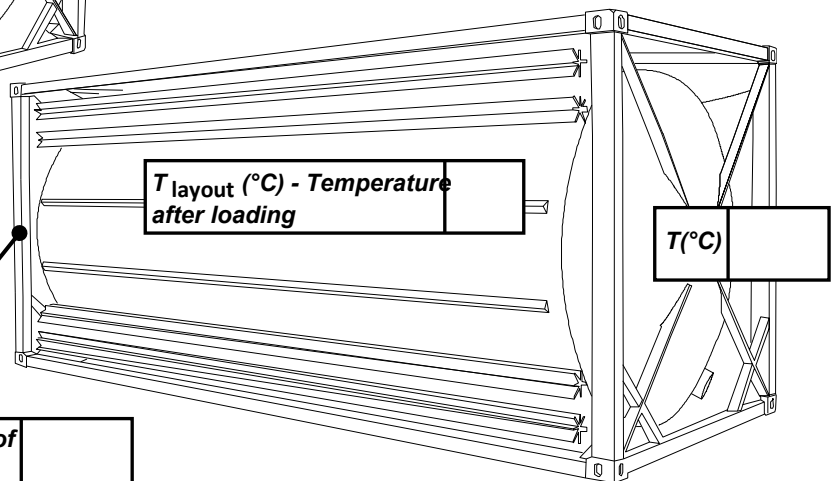


If LOX Med, indicates seals number: _____



If $T^{\circ}_{layout} \ll T^{\circ}_{frame}$

→ There is a vacuum problem, call Air Flow before docking



COMMENTS: